



2294 Old Hwy • Owens Cross Roads, AL 35763

Ph: 256.725.2500 or 866.725.8272

F: 877.333.8272 • WWW.TARAPOOLS.COM

LINER OVER STEP - SUPPLEMENTAL ORDER FORM

Email to: sales@taramfg.com

Date: _____ Due: _____

Company: _____

Distributor: _____

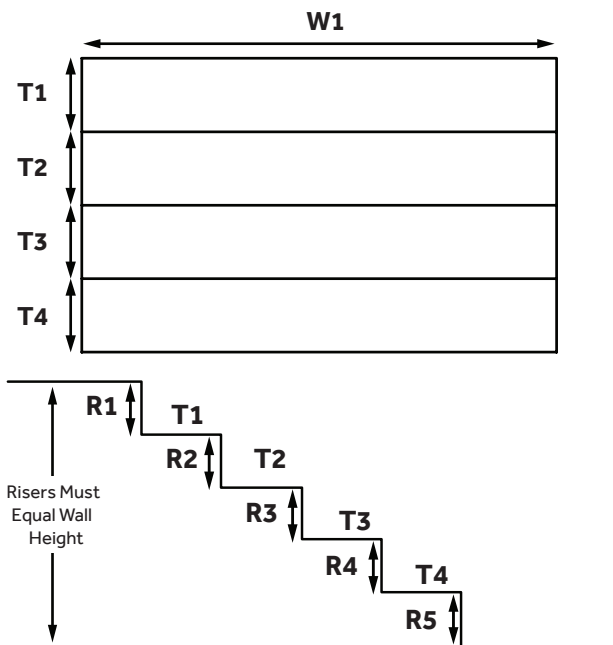
PO #: _____

Job Name: _____

Pattern: _____

SureStep: Matching Other
Pattern: _____

STEP DIMENSIONS



STEP WIDTH (W1): _____ (in.)

R1: _____ (in.) T1: _____ (in.)

R2: _____ (in.) T2: _____ (in.)

R3: _____ (in.) T3: _____ (in.)

R4: _____ (in.) T4: _____ (in.)

R5: _____ (in.)

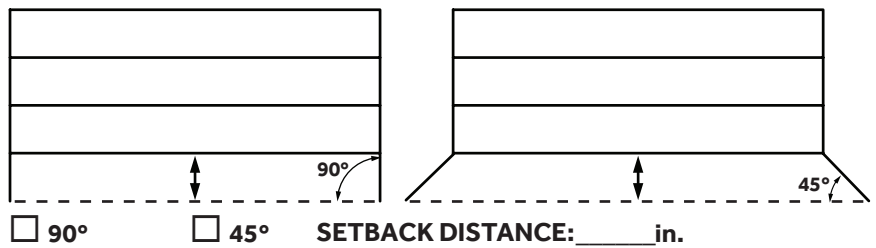
Wedding Cake Step?

YES NO

Step Inside Pool Perimeter?

YES NO

SETBACK



STEP CORNERS



STEP FASTENER

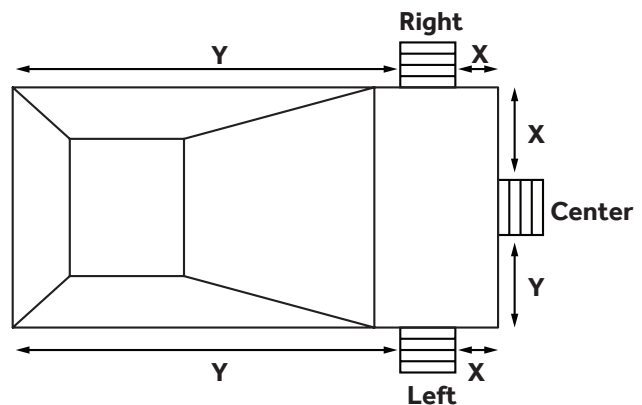
(Please choose one. If no boxes are checked we will not add a step fastener)

ROD POCKET BEAD FASTENER NONE

FOAM

1/8" 1/4" NONE

STEP LOCATION



RIGHT CENTER LEFT

X: _____ (ft.) _____ (in.) Y: _____ (ft.) _____ (in.)



2294 Old Hwy • Owens Cross Roads, AL 35763

Ph: 256.725.2500 or 866.725.8272

F: 877.333.8272 • WWW.TARAPOOLS.COM

LINER ORDER CHECKLIST

Email to: sales@taramfg.com

ORDER INFORMATION

- Did you Use a Tara Order Form and Fill it Out Completely?
- What is the Job Name? (We Recommend Using the Homeowners Last Name or Street Address)
- What is the Pattern? (Be Sure to Include mil)

POINT-TO-POINT MEASUREMENTS

- What is the Distance Between Points A and B?
- Did you Indicate the Shallow and Deep End Breakpoints?

POOL DIMENSIONS

- Did you Indicate the Corner Type and Size?
- Did you provide the Wall Height & Deep End Depth?
- Does the Width (A) = G+H+I?
- Does the Length (B) = E+L+M+N?
- Is the Step Radius or Straight on Oval, Radius or Freeform Pool Shape?
- Is the Step Included in the Overall Length or is the Measurement to the Front of the Step?

VINYL COVERED STAIRS

- Did you Include the Location of the Step?
- Did you Include the Step Riser and Tread Measurements?
- Does the Sum of Riser Measurements Equal the Wall Height?
- What Type of Step Fasteners do you Need, Rod Pocket, Bead Fastener or None?
- Is there a Setback?

GRECIAN POOLS

- Is Grecian Out-of-Square? (a point-to-point on a grecian will help prevent errors and only requires 14 points)
- Did you Provide the Hopper Shape?

ROMAN END POOLS

- Did you Include the (W), (R) and (T) Measurements?
- Is it a Single or Double Roman End Pool?

KIDNEY, LAZY "L", TRUE "L" POOLS

- Did you Indicate the Direction of Pool from Shallow End?