



2294 Old Highway 431 • Owens Cross Roads, AL 35763
 Ph: (256)725-2500 or (866)725-8272 • Fax: (877)333-8272
 WWW.TARALINERS.COM

SPECIAL LAZY L ROMAN END LEFT ORDER FORM

Date: _____ Due: _____

DEALER

Company: _____

Address: _____

CITY _____ STATE _____ ZIP _____

Contact: _____ Phone: _____

E-Mail: _____

DISTRIBUTOR

Company: _____

Address: _____

CITY _____ STATE _____ ZIP _____

Contact: _____ Phone: _____

E-Mail: _____

SHIPPING INSTRUCTIONS

Branch: Dealer: Pick Up:

Ship Via: _____

Other: _____

ORDER INFORMATION

PO #: _____

Job Name: _____

Price: _____

Serial #: _____

Stock #: _____

Sidewall Pattern: _____

Bottom Pattern: _____

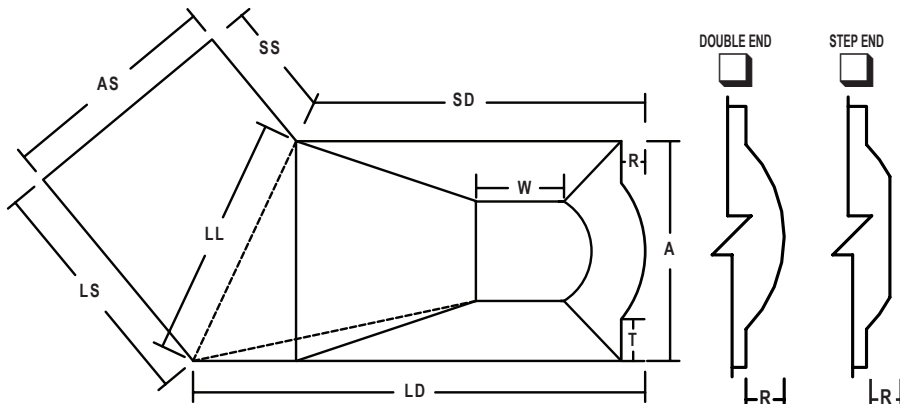
MOUNTING

Beaded: Overlap: Overlap Size: _____ INCHES

WARRANTY (Please Check One)

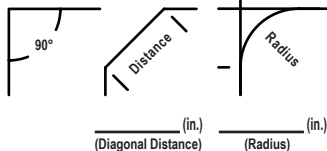
Standard (Free): Silver (\$50): Gold (\$75):

COMMENTS



CORNER TYPE

SQUARE DIAGONAL RADIUS



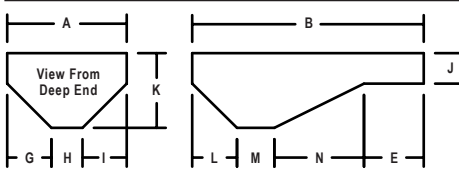
LAZY L SLOPE

YES NO

HOPPER

SQUARE GRECIAN

RADIUS OVAL



SAFETY LEDGE

_____ (in.)

COVE

Wall _____ (in.)
 Depth _____ (in.)
 Length _____ (in.)

MEASUREMENTS

(A): _____ (ft.) _____ (in.) (E): _____ (ft.) _____ (in.)
 (B): _____ (ft.) _____ (in.) (N): _____ (ft.) _____ (in.)
 (AS): _____ (ft.) _____ (in.) (M): _____ (ft.) _____ (in.)
 (LS): _____ (ft.) _____ (in.) (L): _____ (ft.) _____ (in.)
 (LD): _____ (ft.) _____ (in.) (LL): _____ (ft.) _____ (in.)
 (G): _____ (ft.) _____ (in.) (SS): _____ (ft.) _____ (in.)
 (H): _____ (ft.) _____ (in.) (SD): _____ (ft.) _____ (in.)
 (I): _____ (ft.) _____ (in.) (R): _____ (ft.) _____ (in.)
 (J): _____ (ft.) _____ (in.) (T): _____ (ft.) _____ (in.)
 (K): _____ (ft.) _____ (in.) (W): _____ (ft.) _____ (in.)

Self Check
 G+H+I=A?
 E+L+M+N=B?
 STEP RISERS=J?

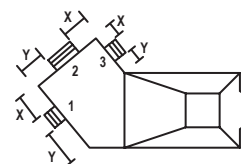
POOL MANUFACTURER, IF KNOWN:

DO NOT INCLUDE STEPS ACROSS THE WIDTH OF THE POOL IN THE OVERALL LENGTH "B" MEASUREMENT

STEP DETAILS

INDICATE POSITION OF VINYL STEP IF APPLICABLE

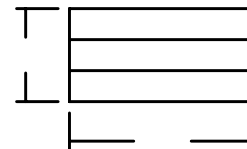
1 2 3



(X) _____ (in.)

(Y) _____ (in.)

IS STEP INSIDE POOL PERIMETER?
 YES NO



VINYL STEP

ROD POCKETS YES NO
 BEADED STEP YES NO

FOAM

YES NO

Set Back

INCHES
 45° 90°

Step Corners

6" RADIUS 90°

