



2294 Old Highway 431 • Owens Cross Roads, AL 35763  
 Ph: (256)725-2500 or (866)725-8272 • Fax: (877)333-8272  
 WWW.TARALINERS.COM

**SPECIAL TRUE-L RIGHT ORDER FORM**

Date: \_\_\_\_\_ Due: \_\_\_\_\_

**DEALER**

Company: \_\_\_\_\_

Address: \_\_\_\_\_

CITY \_\_\_\_\_ STATE \_\_\_\_\_ ZIP \_\_\_\_\_

Contact: \_\_\_\_\_ Phone: \_\_\_\_\_

E-Mail: \_\_\_\_\_

**DISTRIBUTOR**

Company: \_\_\_\_\_

Address: \_\_\_\_\_

CITY \_\_\_\_\_ STATE \_\_\_\_\_ ZIP \_\_\_\_\_

Contact: \_\_\_\_\_ Phone: \_\_\_\_\_

E-Mail: \_\_\_\_\_

**SHIPPING INSTRUCTIONS**

Branch:  Dealer:  Pick Up:

Ship Via: \_\_\_\_\_

Other: \_\_\_\_\_

**ORDER INFORMATION**

PO #: \_\_\_\_\_

Job Name: \_\_\_\_\_

Price: \_\_\_\_\_

Serial #: \_\_\_\_\_

Stock #: \_\_\_\_\_

Sidewall Pattern: \_\_\_\_\_

Bottom Pattern: \_\_\_\_\_

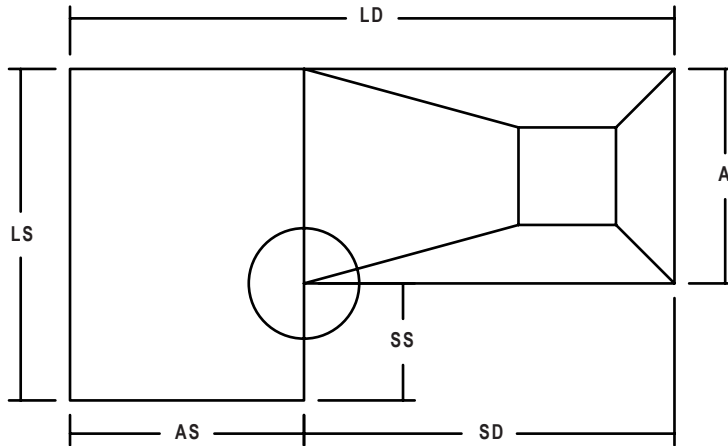
**MOUNTING**

Beaded:  Overlap:  Overlap Size: \_\_\_\_\_ INCHES

**WARRANTY (Please Check One)**

Standard (Free):  Silver (\$50):  Gold (\$75):

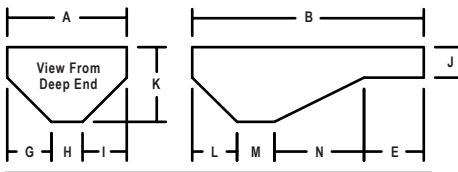
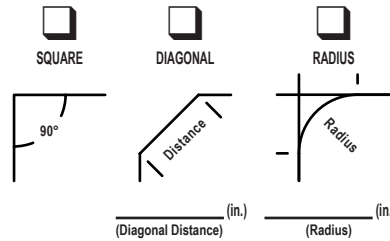
**COMMENTS**



**INSIDE CORNER**

- 90°
- \_\_\_\_\_ (in.)  
DIAGONAL
- \_\_\_\_\_ (in.)  
RADIUS

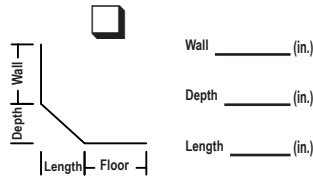
**CORNER TYPE**



**SAFETY LEDGE**

\_\_\_\_\_ (in.)

**COVE**



**MEASUREMENTS**

- (A): \_\_\_\_\_ (ft.) \_\_\_\_\_ (in.) (L): \_\_\_\_\_ (ft.) \_\_\_\_\_ (in.)
- (B): \_\_\_\_\_ (ft.) \_\_\_\_\_ (in.) (M): \_\_\_\_\_ (ft.) \_\_\_\_\_ (in.)
- (E): \_\_\_\_\_ (ft.) \_\_\_\_\_ (in.) (N): \_\_\_\_\_ (ft.) \_\_\_\_\_ (in.)
- (G): \_\_\_\_\_ (ft.) \_\_\_\_\_ (in.) (AS): \_\_\_\_\_ (ft.) \_\_\_\_\_ (in.)
- (H): \_\_\_\_\_ (ft.) \_\_\_\_\_ (in.) (LD): \_\_\_\_\_ (ft.) \_\_\_\_\_ (in.)
- (I): \_\_\_\_\_ (ft.) \_\_\_\_\_ (in.) (LS): \_\_\_\_\_ (ft.) \_\_\_\_\_ (in.)
- (J): \_\_\_\_\_ (ft.) \_\_\_\_\_ (in.) (SD): \_\_\_\_\_ (ft.) \_\_\_\_\_ (in.)
- (K): \_\_\_\_\_ (ft.) \_\_\_\_\_ (in.) (SS): \_\_\_\_\_ (ft.) \_\_\_\_\_ (in.)

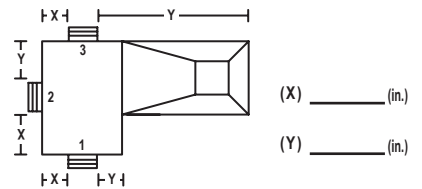
**POOL MANUFACTURER, IF KNOWN:**

DO NOT INCLUDE STEPS ACROSS THE WIDTH OF THE POOL IN THE OVERALL LENGTH "B" MEASUREMENT

**STEP DETAILS**

INDICATE POSITION OF VINYL STEP IF APPLICABLE

- 1  2  3



**IS STEP INSIDE POOL PERIMETER?**

- YES  NO

**VINYL STEP**

- ROD POCKETS**  
 YES  NO
- BEADED STEP**  
 YES  NO

**FOAM**

- YES  NO
- THICKNESS \_\_\_\_\_ (in.)

**Set Back**

- 45°  90°

**Step Corners**

- 6" RADIUS  90°

**Self Check**

- G+H+A=?
- E+L+M+N=B?
- STEP RISERS=J?